

IMPORTANT SAFEGUARDS

To guard against injury, basic safety precautions should be observed including but not limited to the following;

- The pump should only be used in clean water. Do not use the pump in any solvent or gasoline that is flammable.
- Do not operate the pump without water at any time, permanent damage may occur.
- Do not operate the pump if the pump or any of the components of the pump such as the power cable have been damaged.
- If the plug does get wet, do not unplug the cord. Disconnect the circuit breaker that supplies power to the power point. Then unplug and examine the plug and power point for presence of water. If the power point has become wet, you should consult an electrician before using the power point again.
- Warning: Always use a properly grounded power supply that is connected to an RCD with a rated residual operating current not exceeding 30mA. As per AS/NZS 3350.2.41:1997
- Always unplug the pump from the power supply when not in use or before performing any maintenance on the pump or in the pond. Never pull the cord to disconnect the plug from the power supply. Grasp the plug and pull to disconnect.
- Do not install or store the pump where it will be exposed to extreme hot or cold temperatures.
- Keep out of reach of children or pets. This appliance should not be used by children or infirm persons without supervision.
- Do not cut the cord as this will result in voiding your warranty.
- Care should be taken to arrange the power cord so that it cannot be accidentally tripped over or pulled.
- Do not attempt to repair the pump yourself. Return to an authorized service centre or place of purchase if a fault occurs.
- Do not use in water above 35°C.

LIMITED WARRANTY

- Warranty covers only appliance defects and faulty material and workmanship within a 1 year period.
- If the pump fails due to a manufacturing fault within the warranty period, the pump will be either repaired or replaced free of charge.
- Faults arising due to; accidents, misuse, not following manufacturer's guidelines/ instructions or power surges/spikes/brownouts will not be covered.
- The impellor set is a consumable item and is therefore not covered under warranty. Replacement parts are available from your local retailer/ special orders.
- Warranty will be void if any tampering removal of warranty labels or electrical circuitry is evident.
- Warranty will be void if the power cord is cut or damaged in any way.
- Warranty will be void if any visible signs of overheating are present.
- The manufacturer or distributor shall not be held responsible for any damages caused by defective components or materials, or for loss incurred because of the interruption of services or any consequential or incidental damages or expenses arising from the manufacture, sale, use, or misuse of this product.
- Warranty claims caused by installation or servicing faults will not be covered.
- It is the customer's responsibility to return the faulty appliance for any warranty claim to Aquatec.
- For any warranty to be valid, an original proof of purchase must be provided.
- Our goods come with guarantees that cannot be excluded under the Australian Consumer Law. You are entitled to a replacement or refund for a major failure and for compensation for any other reasonably foreseeable loss or damage. You are also entitled to have the goods repaired or replaced if the goods fail to be of acceptable quality and the failure does not amount to a major failure.

Note: Please consult your retailer for quality original **hydropro** replacement parts for your **hydropro** product.

hydro pro

SUBMERSIBLE WATERFEATURE PUMPS

HP550
HP850
HP1100



1300 AQUATEC
aquatecequipment.com

QUICKSTART GUIDE

Congratulations on your purchase of this product by

hydropro

Before using your timer, please read the following instructions carefully.

	HP550	HP850	HP1100
VOLTAGE (V)	240	240	240
POWER (W)*	7	26	37
MAXIMUM FLOW (L/H)	550	850	1050
MAXIMUM HEAD HEIGHT (m)	0.95	1.50	1.90
RECOMMENDED OPERATING HEIGHT (m)	0.60	1.00	1.30
OUTLET Ø (mm)	12	12	19

* Subject to variation according to load.

Operation Steps

DESCRIPTION AND FEATURES

Your **hydropro** waterfeature pump has been manufactured with advanced technology to provide you with the best quality pump for your pond or waterfeature.

- **hydropro** pumps are suitable for use in many different applications including; fountains, water features, small ponds and hydroponics.
- Your **hydropro** pump has a single moving part (an impellor set) therefore enabling easy cleaning and maintenance.
- The motor and electrical components are encapsulated in epoxy resin, ensuring safe operation under water.

INSTALLATION

1. If required, have a qualified electrician install weather proof power point near to the pond or waterfeature, (within the cable length of the pump).
2. Place the pump in desired location, ensure the pump is on a stable surface that is free of sludge, sand and other debris and connect tubing to the outlet or attach fountain kit.
3. Ensure pump is submerged then plug in power cord and switch on.

MAINTENANCE

Disconnect power cord from the power supply before performing maintenance. Never lift the pump by the power cord. The only serviceable item is the impellor set.

The motor unit of the pump is encapsulated with epoxy resin and does not need lubrication.

All **hydropro** submersible pumps are water cooled; if pump becomes restricted it will overheat and could cause permanent damage. Ensure pump does not become blocked or restricted.

The power cord cannot be replaced, if the cord is damaged, the pump must be discarded.

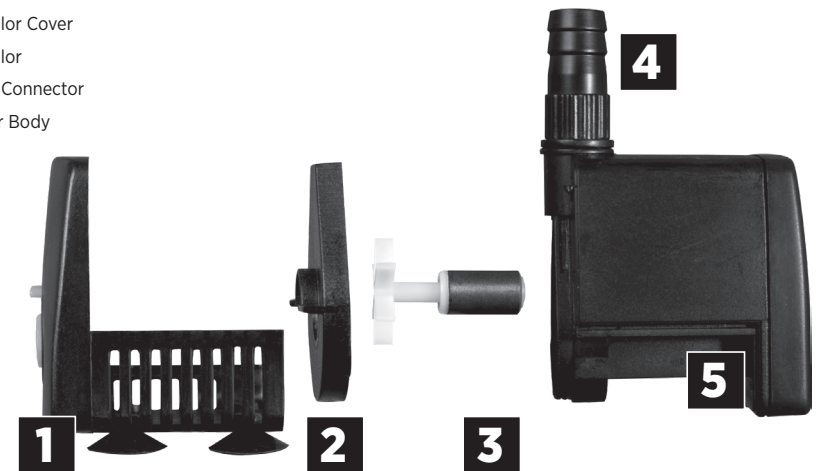
The impellor set is a wearing consumable part. Regular inspections, cleaning and maintenance of impellor is necessary to ensure longer impellor life.

If the impellor set becomes worn or damaged it should be replaced (available from your dealer or special orders). Failure to do so may cause serious damage to pump.

1. Disconnect the power cord from the power supply before performing maintenance.
2. Remove the pump from water, detach tubing/ fountain kit and remove front cage from pump.

3. Remove the impellor locking ring/ cover by either turning anti-clockwise and pulling out.
4. Gently remove the impellor and shaft, use long nose pliers if needed. Take care not to break ceramic shaft (if applicable) because they are brittle.
5. Clean impellor, checking for any signs of wear or damage.
6. Reinstall the shaft, and then carefully slide the impellor onto the shaft. The impellor will pull itself in by magnetic force, this is normal. (Take care not to pinch your fingers).
7. Replace the impellor cover making sure the shaft is located properly on the impellor cover.
8. Replace the front cage.
9. Re-attach tubing/fountain kit, submerge in water, connect to power supply and turn on.

- 1 Front Cover
- 2 Impellor Cover
- 3 Impellor
- 4 Hose Connector
- 5 Motor Body



HP550 Model shown. Picture for illustration purposes only.