

PondMAX[®]

FOR GARDENS THAT GO THE EXTRA YARD

PX SERIES HIGH FLOW FILTER PUMP

INSTRUCTION MANUAL



DATE
APR 2022

www.pondmax.com.au

MODEL
PX15000
PX25000



WELCOME TO THE WORLD OF **PONDMAX™**.
YOU MADE THE RIGHT CHOICE INVESTING IN THIS
QUALITY PRODUCT. **THANK YOU AND ENJOY.**

TECHNICAL SPECIFICATIONS

DESCRIPTION	PX15000	PX25000
MAXIMUM WATER FLOW (L/H)	15200	25000
MAXIMUM HEAD (m)	5.5	9.5
POWER CONSUMPTION* (W)	210	620
VOLTS (V)	220 - 240	220 - 240
IP RATING	IPX8	IPX8
FREQUENCY (Hz) AC	50	50
CABLE LENGTH (m)	10	10
BALL JOINT OUTLET & STEPPED HOSETAIL - 40mm / 32mm / 25mm	Yes	Yes
RECOMMENDED TUBING SIZE (inch / mm)	1.5 / 2 38 / 50	1.5 / 2 38 / 50
PRODUCT ORDER CODE	02PX150	02PX250

* SUBJECT TO VARIATION ACCORDING TO LOAD.

PX SERIES HIGH FLOW FILTER PUMPS

DESIGN HIGHLIGHTS

The PondMAX High Flow Filter Pumps have been manufactured with advanced technology to provide you with the best quality pumps for your pond. Visit our website to view our range of pond filtration, outdoor/ underwater lighting, water treatments and general accessories.

- Non-submersible use at the side of the pond, below the water level.
- Vortex impellor.
- Ideal for use in polluted water, up to a 6mm grain size.
- Ceramic bearings for continuous use.
- All the electrical parts are embedded in a block of plastic resin.
- Energy saving split tube motor.
- Overload protection by means of a thermal overload trip
- Simple maintenance with removable rotor assembly
- Optimum filtration
- Dual use - both submersible or above the water.



IMPORTANT SAFEGUARDS

Please read the operating instructions and familiarise yourself with the equipment before placing it in service. Correct and safe use of the system requires strict compliance with the safety instructions.

For safety reasons persons less than 16 years of age or people that are not familiar with these instructions should not use this equipment.

- Any damage to the equipment or unmerited operation will bring dangers to the surrounding precincts. So if there is any damage of the equipment, it must not be used. The equipment should be placed out of reach of children.
- For your own safety, disconnect from the power supply before any maintenance of any equipment is attempted on the tank or water body. Always unplug the pump from the power supply when not in use
- Never pull the cable to disconnect the plug from the power supply - Grasp the plug and pull to disconnect. If required, have a qualified electrician install a weatherproof power supply point near to the pond or water-feature (within the cable length of the appliance).
- Be sure the equipment is submerged completely in the water. The depth should not be greater than 2m.
- Do not operate the pump if the appliance or any components of the system, such as the power cable, have been damaged. Check appliance for defects regularly.
- Always use a properly grounded power supply that is connected to an RCD with a rated residual operating current not exceeding 30mA. As per AS/NZS 3350.2.41:1997
- To avoid an electric shock, do not attach the plug to the power supply socket with wet hands. On installation, the drip loop method should be used to prevent water from traveling down the cable and onto the plug or power supply. If the plug does get wet, do not unplug the cable. Immediately disconnect the circuit breaker that supplies power to the power supply point. Then unplug and examine the plug, and power supply point, for presence of water. If the power point has become wet, you should consult an electrician before using the power point again.
- Do not cut the cable as this will result in voiding your warranty.
- Do not install or store the appliance where it will be exposed to extreme hot or cold temperatures. Do not use in water above 40°C.
- Care should be taken to arrange the power cable so that it cannot be accidentally tripped over or pulled.
- Do not attempt to repair the electrical appliance yourself. Return to an authorised service centre or place of purchase if a fault occurs, (regular maintenance is not considered repair and is required by user).

FOR GARDENS THAT GO THE EXTRA YARD



BEFORE OPERATION

- Check the power voltage and frequency if conformed with those on the nameplate.
 - The pump must be supplied through a residual current device (RCD) having a rated residual operating current no exceeding 30mA.
 - Do not lift, lower, or carry the pump by the cable.
 - Always switch off the mains before doing any maintenance or placing your hand in the water to which this pump is connected.
 - Do not add any lubricant for the appliance, do not operate the pump without water. It will damage the pump
 - It is prohibited to use in water which temperature are higher than 40°C as it remarkably shortens the life of the pump.
-

THE PUMP SHOULD NOT BE USED IF:

- Power supply cord or other important parts are damaged in any way. The power supply cord cannot be replaced. If the cord is damaged, the appliances should be disposed of.
 - The plug or receptacle becomes wet.
 - Discharge of the pump is reduced.
 - Any part is broken and water leaks in.
 - Anything abnormal occurs.
-

DURING OPERATION:

- Shut off the power immediately to prevent the motor from being burned out when the motor is overloaded due to the clogging with foreign matters.
- Please consult with you local dealers or our branch office where you purchased the unit if you cannot find the cause of the fault. Unauthorised persons are prohibited to disassemble or assemble as it may result in the inferior of capacity or even motor damage.

PX SERIES HIGH FLOW FILTER PUMPS

AFTER OPERATION

- If freezing temperatures are predicted, lift the pump from water and restore it after drying out the impeller chamber completely.
- If the pump is in the water for a long period of time without operation, it may rust and floating matters may accumulate inside the pump. Rinse in clean water for a while to remove floating matters from the pump. Restore it after drying.

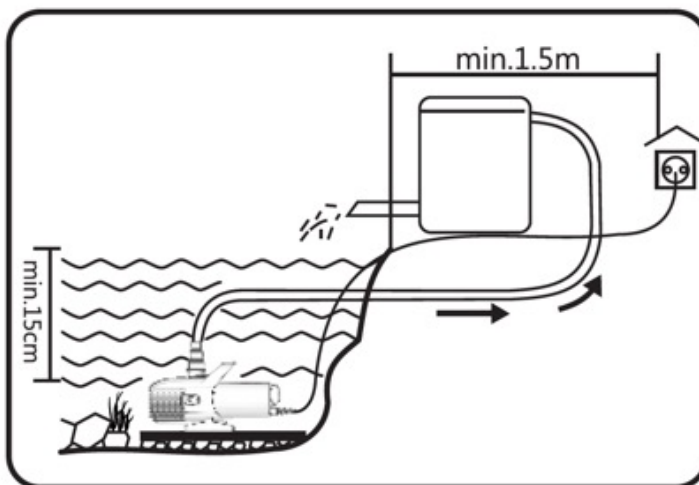
INSTALLATION

Installation when used inside water:

- The pump must be immersed in water completely. The minimum depth is 15cm in case of inhaling air.
- When used in a pond or a brook, to prevent the filter (sponge) from being closed the pump must be installed on a solid, flat surface to ensure sand and silt is not sucked up.

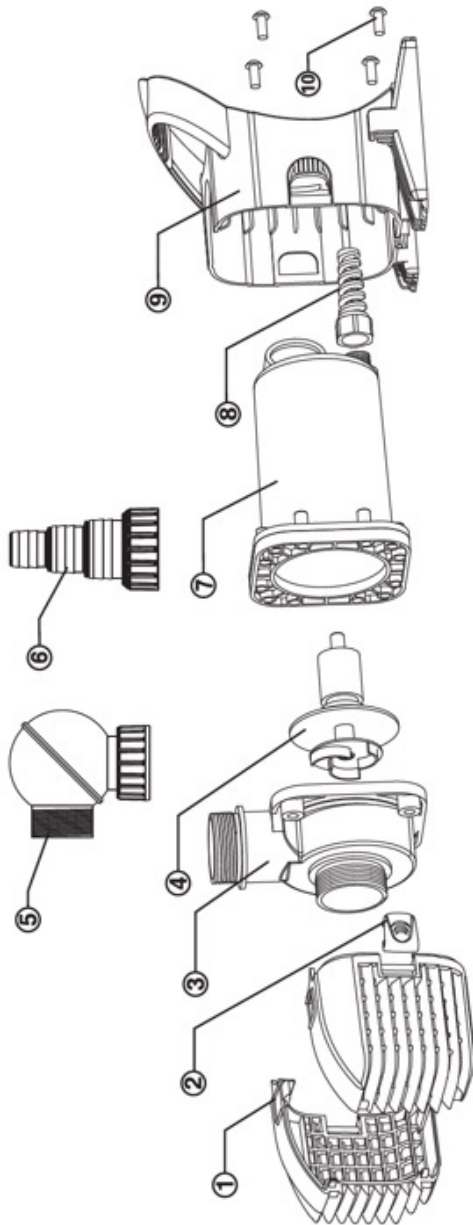
NOTE:

- The pump can be used indoors or outdoors. Main's cable must not be changed or replaced. It must not be bent or used to carry the pump. If the mains cable is damaged, please do not use the pump.
- Power socket must be installed in a dry place. The minimum distance between it and the pond is 1.5m.



FOR GARDENS THAT GO THE EXTRA YARD

EXPLODED VIEW



1. Water Inlet Cover
2. Clip
3. Water chamber
4. Impeller is suitable for particles
5. Connector
6. Hose Diameter
7. Main Housing
8. Cable Jacket
9. Handle
10. Screw



IMPORTANT

These accessories and attachments are recommended for use with your PondMAX product specified in this manual. The use of any other accessories or attachments might present a risk of injury to persons. Only use the accessory or attachment for its stated purpose.

PX SERIES HIGH FLOW FILTER PUMPS

MAINTENANCE

The motor unit is hermetically sealed by quality resin & as such does not require any other care. The impeller assembly rests inside an easy-open cover to allow occasional spot checks for grime & dirt. The water chamber has an effective self-cleaning feature, but regular maintenance will lengthen the life of the impeller & motor unit. To clean, press the two sides of the water inlet cover, draw it and the water chamber cover from the pump. Please note that soap or detergents are not recommended for pump maintenance because they are bad for fishes' health.

NOTE: Do not dispose of this unit with domestic waste. For disposal purposes, please use the return system provided. Disable the unit beforehand by cutting off the cables.

TROUBLESHOOTING

PROBLEM	REASON	SOLUTION
Pump is not working	Power is not turned on	Turn on the power
	Plugged in insufficiently	Plug in sufficiently
	Impellor binding	Remove foreign matters from impeller
	Apply to wrong voltage	Apply to correct voltage
	The water inlet or outlet pipe is clogged with foreign matters	Remove foreign matters from the pipes
Pump is noisy	Impeller worn out	Replace it with a new one
	Water level goes down and the pump exposed on the water source	Put the pump into water
	Hose is too long or clogged with foreign matters	Shorten the hose or clean up inside
	There is air in the impeller chamber (only when used outside water)	To get rid of the air, put the pump into the water. Turn the switch to "ON" then "OFF" intermittently 2-3 times

FOR GARDENS THAT GO THE EXTRA YARD



LIMITED WARRANTY

This product comes with a warranty against defects and motor failure (Warranty). The benefits provided in this Warranty are in addition to other rights and remedies available to you under the Australia Consumer Law. The Warranty is provided to the original purchaser of the product on the following terms:

- The Warranty is given by Aquatec Equipment Pty Ltd trading as Aquatec Equipment.
 - Tel 08 6260 1000 or email sales@pondmax.com.au
- To make a claim under the Warranty you must return the faulty product to the place of purchase with a valid receipt or proof of purchase.
- **A Warranty claim must be made within 3 years of the date of purchase.**
- If your claim complies with the above terms and the product is not an exhaustible Item and no voiding events have occurred, we will (at our sole discretion):
 - repair the product, if possible; or
 - provide a replacement product; or
 - if a replacement product is not available, provide a refund for the purchase price paid.
- You will bear the cost associated with claiming under the Warranty such as the cost of transportation and delivery of the product to and from the place of purchase.
- The product contains a complete Impellor Set. These items are exhaustible (Exhaustible Items) and are not covered under the Warranty.
- The Warranty will be void if any of the following events occur, as determined by us, at our sole discretion (Voiding Events):
 - any tampering/removal of warranty/identification labels or electrical components is evident;
 - the defect has arisen due to: an accident, incorrect or inadequate installation, misuse or abuse of the product (including improper maintenance and service), excessive wear and tear, not following manufacturer's guidelines/ instructions, or the product has been used in a manner contrary to the purpose or suitability of the product;
 - the product has been modified without our authority;
 - the defect is caused by power surges/spikes brownouts.
- Loss of livestock, damage to property or personal injury caused by the improper use or abuse of the product will not be covered and the manufacturer excludes all liability for such events, to the extent permitted by law.
- In addition to the Warranty set out above, our goods come with guarantees that cannot be excluded under the Australian Consumer Law. You are entitled to a replacement or refund for a major failure and for compensation for any other reasonably foreseeable loss or damage. You are also entitled to have the goods repaired or replaced if the goods fail to be of acceptable quality and the failure does not amount to a major failure.

**Please consult your retailer for quality original PondMAX replacement parts.
Visit www.pondmax.com.au for your nearest stockists.**

E.&O.E.